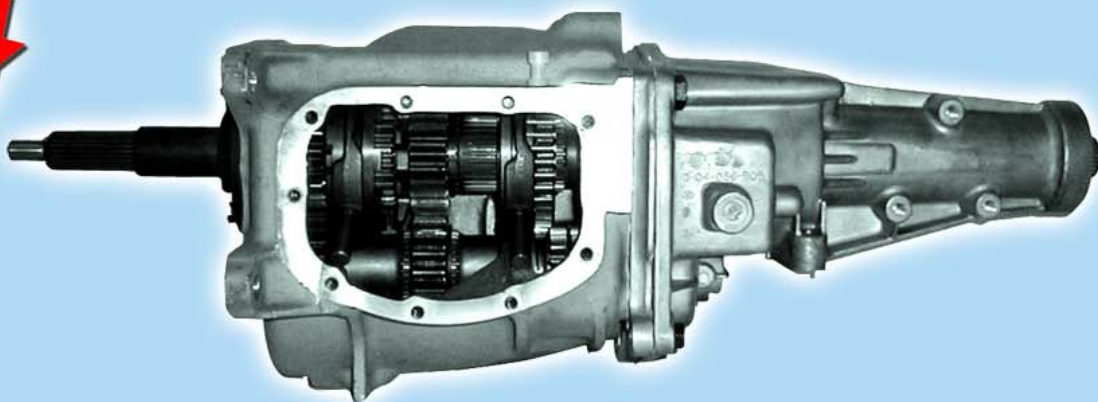


Hi-Performance

Clutchless Shifting 2-Speed

NEW

Approximate Dry Weight	62 Lbs.
Center Distance	3.25 Inches
Oil Capacity	2.4 U.S. Pints
Case & Extension Housing	Aluminum
Controls	Side Lever

• **NOW IN STOCK**

• **MADE IN THE U.S.A.**

- *Best price value*
- *IMCA approved*
- *Dog rings for clutchless shifting*
- *Straight cut gears for ultimate strength*
- *Legal OEM case with external clutch*
- *Interchangeable cluster*
- *Designed for dirt or asphalt*

Transmission Lube



Ring & Pinions



Installation Kits



Spools & Mini-Spools





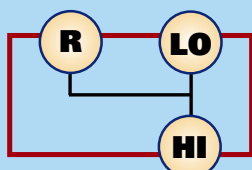
TRANSMISSIONS

Winners Run RICHMOND!

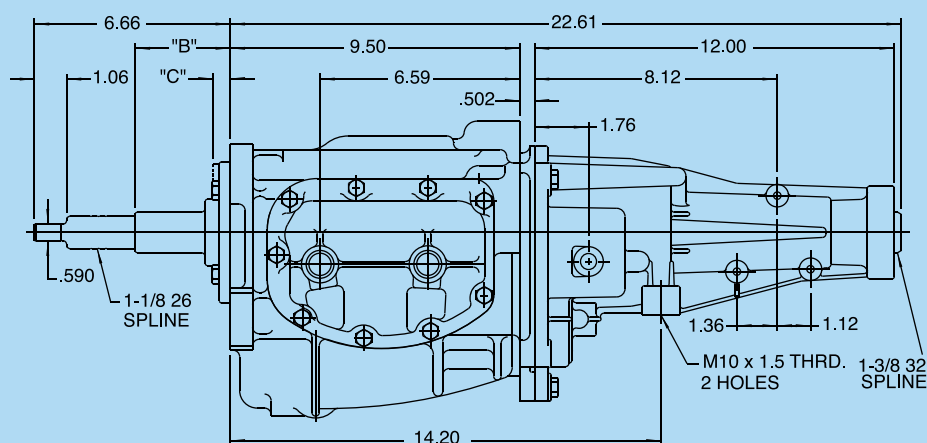
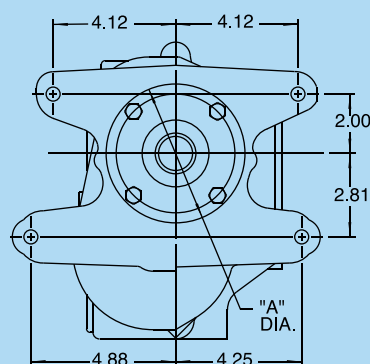
Always in stock at your local RICHMOND distributor

2 Speed General Specifications

PART NUMBER	SPLINES	RATIOS					JOBBER	TRADE
		A	B	C	D	E		
7020010	10	1.03	1.12	1.23	1.34	1.46	\$1,195	1,395
7020026	26	1.03	1.12	1.23	1.34	1.46	\$1,195	1,395



Shift Pattern



RICHMOND Hi-Performance Products Include Transmissions...

4 Speed



5 Speed



6 Speed



Call Your Authorized RICHMOND Distributor

1208 Old Norris Road • P.O. Box 238 • Liberty, S.C. 29657

Phone: 864-843-9231 • Fax: 864-843-2964 • www.richmondgear.com

4017R/JL/08-03/2.5K/SP



A REGAL-BELOIT Company